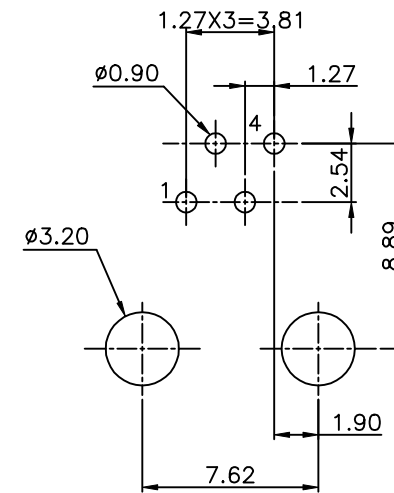
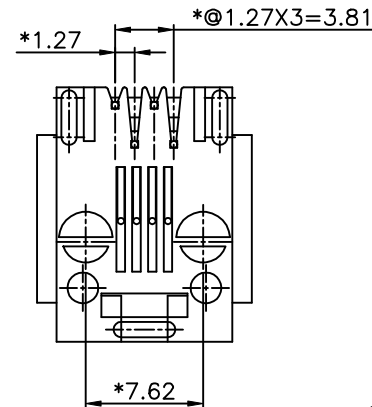
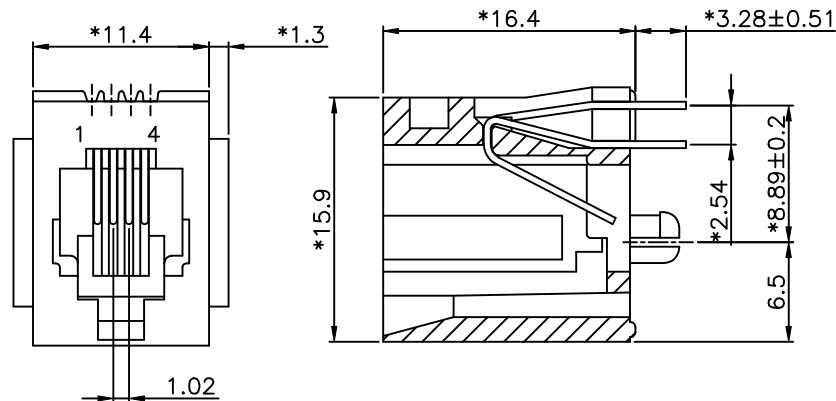


REVISION RECORD				
REV	ECO	DESCRIPTION	DRFT	CHKD
1		Add P/N	sommy 04/03/05	
2		Add P/N	sommy 03/05/05	
3		DEL PART NO.	Ankue 3/12/05	



PC Board Layout
Component Side Shown

NOTES:

ELECTRICAL:

- VOLTAGE RATING: 125 VAC RMS MIN.
- CURRENT RATING: 1.5 AMP MIN.
- CONTACT RESISTANCE: 30 MILLIOHMS MAX.
- INSULATION RESISTANCE: 1000 MEGOHMS Δ MIN @ 500 VDC.
- DIELECTRIC STRENGTH: 1000 VAC RMS 60Hz, 1MIN.

MECHANICAL:

- HOUSING MATERIAL: GLASS FILLED POLYESTER UL94V-0 OR FR52.
- CONTACT MATERIAL: PHOSPHOR BRONZE ϕ 0.46mm.
- PLATING: GOLD PLATING OVER NICKEL.
- OPERATING LIFE: 750 CYCLES MIN. Δ
- PCB RETENTION PRE-SOLDER: 1 LB MIN.
- PCB RETENTION POST-SOLDER: 10 LBS MIN.

ENVIRONMENTAL:

- STORAGE: -40°C TO +85°C.
- OPERATION: -40°C TO +85°C.

MATES WITH MODULAR PLUG CONFORMING TO
FCC PART 68, SUBPART F.

CUL FILE NO. E163191

Δ PART NUMBER: E524X-000XXX

NO. OF CONTACT	1- 3u"	2- 6u"
2-2 CONTACTS	3-15u"	4-30u"
4-4 CONTACTS	5-50u"	6-Pd 20u"

0-PBT BK	3-W/ PANNEL STOP
4-PBT GY	4-W/O PANNEL STOP
Δ B-FR52 BK	

DETACHED LISTS	← MM (INCH) →		DFTO JAMIE	DATE 11/20/97
	TOLERANCES EXCEPT AS NOTED		CHKD JAKE	DATE 2005/08/16
	MM	±	MFO	DATE
	.0 ±0.20	±	APPLVLSAMMY	DATE 2005/08/16
	.00 ±0.15	±	MATERIAL :	
.000 ±0.075	±	ANGLES ±		
THIRD ANGLE PROJECTION		QTY :		
		FINISH :		
		SCALE :		

FULL RISE ELECTRONIC CO., LTD		
TITLE TOP ENTRY PCB JACK 4P		
DRAWING NO. GE523005	SIZE A3	REV 3
/PART NO. SEE NOTE		
DO NOT SCALE DRAWING	SHEET X	OF Y